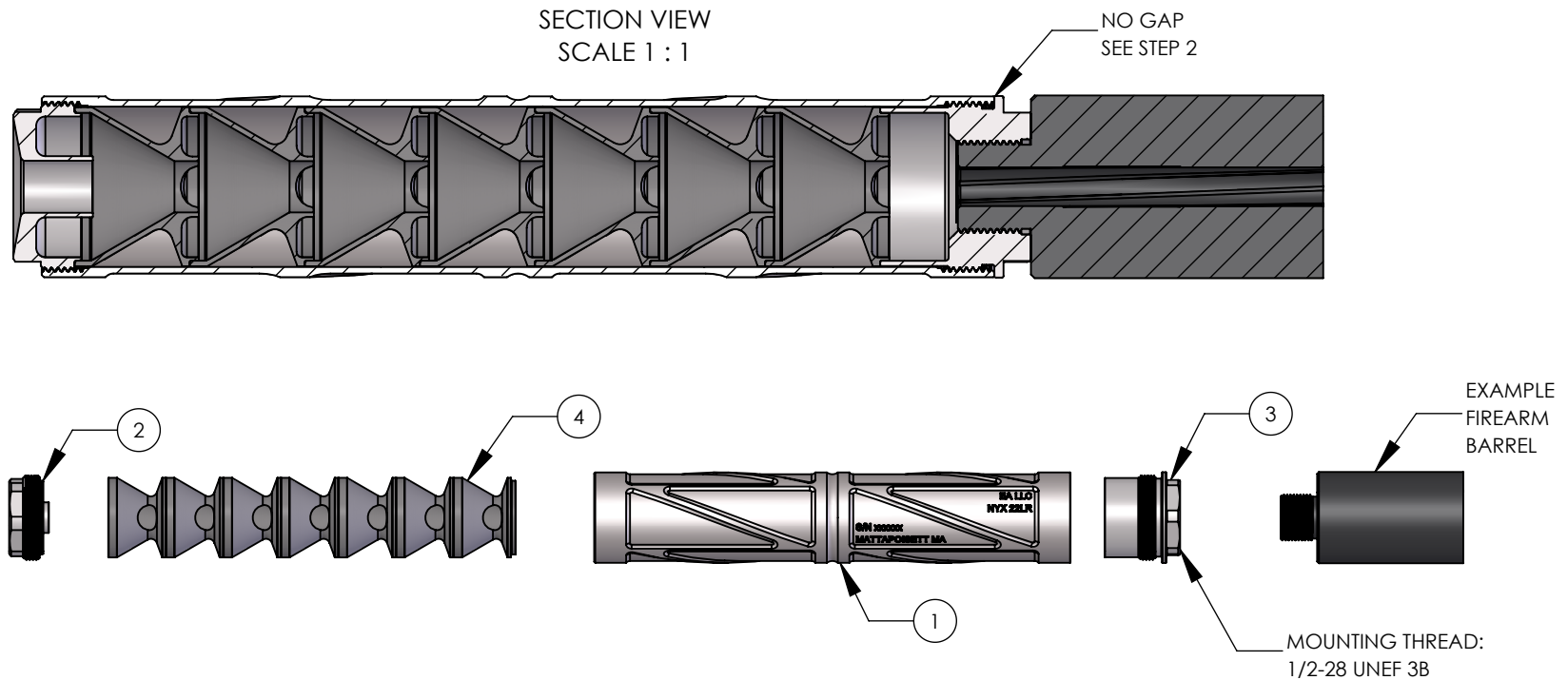


ITEM NO.	PART NUMBER	DESCRIPTION	QTY.
1	SUP01-01	Tube	1
2	SUP01-02	End Cap	1
3	SUP01-03	Thread Adapter	1
4	SUP01-04	Baffle	7

REVISIONS				
ZONE	REV.	DESCRIPTION	DATE	APPROVED
	1	INITIAL RELEASE	7/1/2017	KRE



ASSEMBLY INSTRUCTIONS:

1. APPLY A SMALL DROP OF ANTI-SEIZE COMPOUND TO THE THREAD ADAPTER (ITEM ③) MALE THREADS.
 1. SAFE-T-EZE PART NUMBER ST-1 OR EQUIVALENT
2. SCREW THREAD ADAPTER AND OUTER TUBE (ITEM ①) TOGETHER AS SHOWN.
SHOULDER ON THREAD ADAPTER SHOULD BOTTOM OUT ON TUBE FACE.
WRENCH SIZE: 13/16"
TORQUE NOT TO EXCEED 50 LB · IN (5.6 N · M)
3. STACK BAFFLES (ITEM ④) WITH PORTS ALLIGNED APPROXIMATELY AS SHOWN IN EXPLODED VIEW.
REAR LIP SHOULD NEST INSIDE CONE OF PREVIOUS BAFFLE AS SHOWN IN SECTION VIEW.
4. INSERT BAFFLE STACK INTO TUBE IN ORIENTATION SHOWN.
5. APPLY A SMALL DROP OF ANTI-SEIZE COMPOUND TO THE END CAP (ITEM ②) THREADS.
 1. SAFE-T-EZE PART NUMBER ST-1 OR EQUIVALENT
6. SCREW END CAP INTO TUBE AS SHOWN
WRENCH SIZE: 13/16"
TORQUE NOT TO EXCEED 25 LB · IN (2.8 N · M)

PROPRIETARY AND CONFIDENTIAL

THE INFORMATION CONTAINED IN THIS DRAWING IS THE SOLE PROPERTY OF ENERGETIC ARMAMENT, LLC. ANY REPRODUCTION IN PART OR AS A WHOLE WITHOUT THE WRITTEN PERMISSION OF ENERGETIC ARMAMENT, LLC IS PROHIBITED.

	NAME	DATE	ENERGETIC ARMAMENT, LLC		
DRAWN	SP	7/1/2017	TITLE: NYX Suppressor Assembly Instructions		
CHECKED	KRE	7/1/2017			
COMMENTS:			SIZE	DWG. NO.	REV
			A	SUP01-00 ASSY	1
			SCALE: 1:2	WEIGHT: 0.223 LB	SHEET 1 OF 1

5

4

3

2

1